



SAMSUNG

iPOLiS

# Beyond Clarity

## 1.3M HD Network Camera



1.3Megapixel HD Network Vandal-Resistant Flat Camera

# SNV-5010

The fully ONVIF compliant SNV-5010 is a high performance HD megapixel network camera capable of displaying multiple resolutions from CIF (320 x 240) through to 16:9 format 720p High Definition and up to full 1.3 megapixel (1280 x 1024). These resolutions have the ability to be transmitted simultaneously, allowing the most relevant stream to be transmitted to your viewing or recording device. In addition, the SNV-5010 supports multiple H.264 / MPEG-4 / JPEG codecs to provide both a real-time monitoring and high quality recording solution. The SNV-5010 is compact enough to fit in one hand and its low-profile design allows it to seamlessly fit into any environment.

- Max. 1.3M (1280 x 1024) resolution
- 16:9 HD (720p) resolution support
- Built-in 3mm fixed lens
- H.264 / MPEG-4 / MJPEG multiple codecs
- PoE, IP66

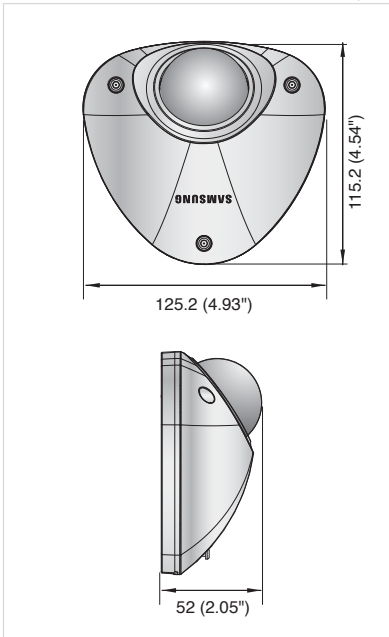
# 1.3Megapixel HD Network Vandal-Resistant Flat Camera

## SNV-5010



### Dimensions

Unit : mm (inch)



### Specifications



| SNV-5010N/P                      |   |
|----------------------------------|---|
| <b>VIDEO</b>                     |   |
| Imaging Device                   | 1/3" 1.3M PS CMOS   |
| Total Pixels                     | 1,384(H) x 1,076(V)   |
| Effective Pixels                 | 1,329(H) x 1,049(V)   |
| Scanning System                  | Progressive   |
| Min. Illumination                | Color : 1Lux (F1.8, 50IRE), 0.016Lux (Sens-up 60x)  |
| S / N Ratio                      | 50dB  |
| Video Output                     | DIP connector   |
| <b>LENS</b>                      |   |
| Focal Length (Zoom Ratio)        | 3mm   |
| Max. Aperture Ratio              | F1.8  |
| Angular Field of View            | H : 91.2°, V : 72.3°  |
| Lens Type                        | Fixed iris  |
| Mount Type                       | Board type  |
| <b>PAN / TILT / ROTATE</b>       |   |
| Pan Range                        | -10° ~ 10°  |
| Tilt Range                       | 0° ~ 90°  |
| <b>OPERATIONAL</b>               |   |
| On Screen Display                | English, French, German, Spanish, Italian, Chinese, Korean, Russian, Japanese, Swedish, Danish, Portuguese                                  |
| Camera Title                     | Off / On (Displayed up to 15 characters)  |
| Backlight Compensation           | Off / BLC / HLC   |
| Contrast Enhancement             | SSDR (Samsung Super Dynamic Range) (Off / On)   |
| Digital Noise Reduction          | SSNRll (2D+3D noise filter) (Off / On)  |
| Privacy Masking                  | Off / On (12 Programmable zones)  |
| Sens-up (Frame Integration)      | Off / Auto (2x ~ 60x)   |
| Gain Control                     | Off / Low / Medium / High / Manual  |
| White Balance                    | ATW / AWC / Manual / Indoor / Outdoor   |
| Electronic Shutter Speed         | Auto / A.FLK / Manual (1/30 ~ 30,000sec)  |
| Flip / Mirror                    | Off / On  |
| Intelligent Video Analytics      | Scene change, Virtual line, Enter / Exit, Appear / Disappear  |
| <b>NETWORK</b>                   |   |
| Ethernet                         | RJ-45 (10/100BASE-T)  |
| Video Compression Format         | H.264, MPEG-4, MJPEG  |
| Resolution                       | 1280 x 1024, 1280 x 720p (HD), 800 x 600, 640 x 480, 320 x 240  |
| Max. Framerate                   | 22fps (1280 x 1024), 30fps (720p HD)  |
| Video Quality Adjustment         | H.264 / MPEG-4 : Compression level, Target bitrate level control<br>MJPEG : Quality level control   |
| Bitrate Control Method           | H.264 / MPEG-4 : CBR or VBR, MJPEG : VBR  |
| Streaming Capability             | Multiple streaming (Up to 10 profiles)  |
| IP                               | IPv4, IPv6  |
| Protocol                         | TCP/IP, UDP/IP, RTP(UDP), RTP(TCP), RTSP, NTP, HTTP, HTTPS, SSL, DHCP, PPPoE<br>FTP, SMTP, ICMP, IGMP, SNMPv1/v2c/v3(MIB-2), ARP, DNS, DDNS |
| Security                         | HTTPS(SSL) login authentication, Digest login authentication<br>IP address filtering, User access log                                       |
| Streaming Method                 | Unicast / Multicast   |
| Max. User Access                 | 10 users at unicast mode  |
| ONVIF Conformance                | Yes   |
| Web Viewer                       | Supported OS : Windows XP / VISTA / 7, MAC OS<br>Supported Browser : Internet Explorer 6.0 or Higher, Firefox, Google Chrome, Apple Safari  |
| Central Management Software      | NET-I viewer  |
| <b>ENVIRONMENTAL</b>             |   |
| Operating Temperature / Humidity | -10°C ~ +50°C (-14°F ~ +122°F) / 20% ~ 80% RH   |
| Ingress Protection               | IP66 Grade (Waterproof)   |
| <b>ELECTRICAL</b>                |   |
| Input Voltage / Current          | 12V DC, PoE (EEE802.3af)  |
| Power Consumption                | Max. 6W   |
| <b>MECHANICAL</b>                |   |
| Color / Material                 | Ivory / Aluminum  |
| Dimensions (WxHxD)               | 125.2 x 52 x 115.2mm (4.93" x 2.05" x 4.54")  |
| Weight                           | 430g (0.95 lb)  |



The Eco mark represents Samsung Techwin's will to create environment-friendly products and indicates that the product satisfies the EU RoHS Directive.

Design and specifications are subject to change without notice.



#### SAMSUNG TECHWIN CO., LTD.

701, Sampyeong-dong, Bundang-gu, Seongnam-si, Gyeonggi-do Korea 463-400  
Tel : +82-70-7147-8741 ~ 8749, 8752-8760 Fax : +82-31-8018-3745  
www.samsungipolis.com www.samsungsecurity.com

#### SAMSUNG TECHWIN AMERICA INC.

1480 Charles Millard St, Carson, CA 90746, UNITED STATES  
Tel: +1-977-213-1222 Fax: +1-310-632-2195  
www.samsungcctvusa.com

#### SAMSUNG TECHWIN EUROPE LTD.

Samsung House, 1000 Hillwood Drive, Hillwood Business Park  
Chertsey, Surrey, UNITED KINGDOM KT16 0PS  
Tel: +44-1932-45-5300 Fax: +44-1932-45-5325

#### TIANJIN SAMSUNG TECHWIN OPTO-ELECTRONICS CO., LTD.

No. 11 Wei 6 Street, Micro-Electronic Industrial Park  
Jingang Road, Tianjin, P.R. CHINA 300395  
Tel: +86-22-23887788 Fax: +86-22-23887788

■ DISTRIBUTED BY



www.asi.ind.in