

Compact and Affordable Network Solution



VGA Network Camera

SNB-1001

The SNB-1001 is a network VGA Box Camera featuring Samsung's WiseNetS DSP. The WiseNetS chip is a new component designed and manufactured by Samsung, featuring Facial Detection, Motion Detection, Samsung Super Dynamic Range, 2D + 3D Samsung Digital Noise Reduction (SSNR III), Polygonal Privacy Masking, and many more features. This camera has separate analog output for easy set or hybrid use as an analog camera. The 1/4" Progressive Scan CMOS delivers a clear image and the camera is capable of multiple streaming over H.264 & MJPEG Dual Codec. The camera may be powered by 12 volt DC or Power over Ethernet and an SD Card Slot is included for those looking for edge storage. This camera is ideal for situations which require a light bandwidth, high quality image such as , small business and retail. Samsung's WiseNetS VGA camera product line also includes vari-focal (SND-1080) and fixed-lens domes (SND-1011).

- 30fps at VGA(640x480) resolution
- H.264, MJPEG Dual Encoding
- Multiple Streaming
- Day and Night Function (Software)
- SSSDR, SSNR III
- PoE, Micro SD Slot, Bi-Directional Audio
- Motion Detection, Face Detection

VGA Network Camera

SNB-1001



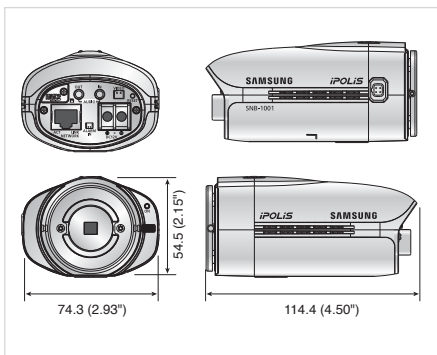
ONVIF

Specifications

	SNB-1001N	SNB-1001P
Video		
Imaging Device	1/4" PS CMOS	
Total Pixels	680(H) x 512(V)	
Effective Pixels	640(H) x 480(V)	
Scanning System	Progressive	
Min. Illumination	0.7Lux (F1.2)	
S / N Ratio	50dB	
Video Out	DIP connector type, for installation	
LENS		
Lens Type	Manual / DC auto iris	
Mount Type	C / CS	
OPERATIONAL		
Camera Title	Off / On (Displayed up to 15 characters)	
Day & Night	Auto (S/W) / Color / B/W / External B/W	
Backlight Compensation	Off / BLC	
Contrast Enhancement	SSDR (Samsung Super Dynamic Range) (Off / On)	
Digital Noise Reduction	SSNRIII (2D+3D noise filter) (Off / On)	
Motion Detection	Off / On (4 programmable zones)	
Privacy Masking	Off / On (32ea 4 points polygonal)	
Sens-up (Frame Integration)	Off / Auto (2x ~ 60x)	
Gain Control	Off / Low / Medium / High	
White Balance	ATW / AWC / Manual / Indoor / Outdoor	
Electronic Shutter Speed	Auto / A.FLK / Manual (60x ~ 1/12000sec)	
Flip / Mirror	Off / On	
Intelligent Video Analytics	Face detection	
Alarm I/O	Input 1ea	
NETWORK		
Ethernet	RJ-45 (10/100BASE-T)	
Video Compression Format	H.264, MJPEG	
Resolution	4 : 3 Mode - 640 x 480 / 320 x 240 / 160 x 120	
Max. Framerate	Max. 30fps at all resolutions	
Video Quality Adjustment	H.264 : Compression level, Target bitrate level control MJPEG : Quality level control	
Bitrate Control Method	H.264 : CBR or VBR, MJPEG : VBR	
Streaming Capability	Multiple streaming (Up to 10 profiles)	
Audio I/O	Mic/Line in , Line out	
Audio Compression Format	G.711 u-law	
Audio Communication	Bi-directional audio	
IP	IPv4, IPv6	
Protocol	TCP/IP, UDP/IP, RTP(UDP), RTP(TCP), RTSP, NTP, HTTP, HTTPS, SSL, DHCP, PPPoE FTP, SMTP, ICMP, IGMP, SNMPv1/v2c/v3(MIB-2), ARP, DNS, DDNS, QoS, ONVIF	
Security	HTTPS(SSL) login authentication, Digest login authentication IP address filtering, User access log, 802.1x Authentication	
Streaming Method	Unicast / Multicast	
Max. User Access	5 users at unicast mode	
Memory Slot	Micro SD/SDHC memory slot	
ONVIF Conformance	Yes	
Webpage Language	English, French, German, Spanish, Italian, Chinese, Korean, Russian, Japanese, Swedish, Danish, Portuguese, Turkish, Polish, Czech, Rumanian, Serbian, Dutch, Croatian, Hungarian, Greek	
Web Viewer	Supported OS : Windows XP / VISTA / 7, MAC OS Supported Browser : Internet Explorer 7.0 or Higher, Firefox, Google Chrome, Apple Safari	
Central Management Software	NET-i viewer	
ENVIRONMENTAL		
Operating Temperature / Humidity	-10°C ~ +50°C (+14°F ~ +122°F) / 20% ~ 80% RH	
ELECTRICAL		
Input Voltage / Current	12V DC / PoE (IEEE802.3af)	
Power Consumption	Max. 5W	
MECHANICAL		
Color / Material	Black, Silver / Aluminium, Plastic	
Dimensions (WxHxD)	74.3 x 54.5 x 114.4mm (2.93" x 2.15" x 4.50") excluding projections	
Weight	190g (0.42 lb)	

Dimensions

Unit : mm (inch)



Available Lenses / Accessories (optional):



SAMSUNG TECHWIN AMERICA Inc.
100 Challenger Road, Suite 700, Ridgfield Park, NJ 07660, UNITED STATES
Tol Free : 1-877-213-1222 Fax : 1-201-373-0124
www.samsungsecurityusa.com



The Eco mark represents Samsung Techwin's will to create environment-friendly products, and indicates that the product satisfies the EU RoHS Directive.

DISTRIBUTED BY



www.asi.ind.in