

SAMSUNG

The Best Night Monitoring Solution



High Performance Thermal night Vision Camera

SCB-9050/9051

The SCB-9050/9051 are cost-effective and stable night vision cameras equipped with a microbolometer thermal imaging sensor. Embedded with advanced infrared imaging technology, it is suitable for short- and medium-range monitoring purposes and offers astoundingly sharp and finely detailed images with its high performance sensor and wide field of view. It is light, yet rugged, making it an ideal solution for 24/7 powerful monitoring.

- Outstanding 360m/1,000m detection range with no lighting
- Intricate imaging with high-powered infrared sensor
- 0.08 °C excellent temperature resolving power
- IP66 approved dust/waterproof, customizable OSD
- Light weight and effective cost

High Performance Thermal night Vision Camera

SCB-9050/9051

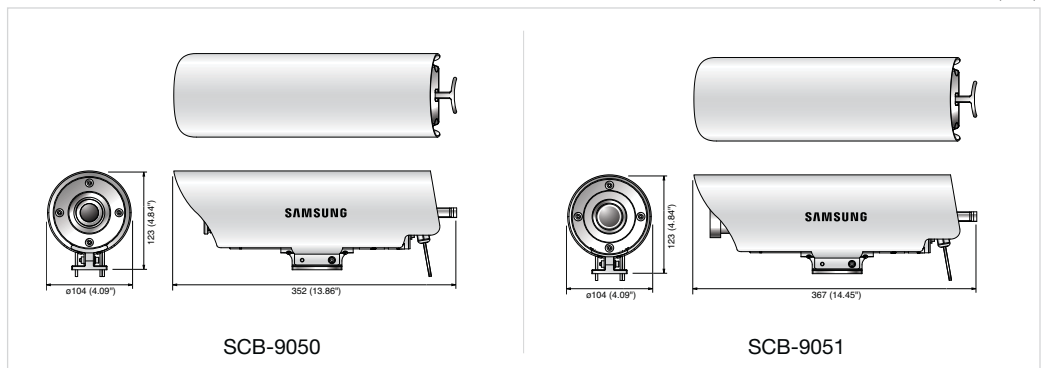


Specifications

	SCB-9050/9051N	SCB-9050/9051P
ELECTRICAL		
Input Voltage	24VAC	
Power Consumption	Max. 10.5W (22W when heater on)	
VIDEO		
Sensor Type	320(H) x 240(H) Uncooled VOX microbolometer	
Sensor Pitch	23.5µm x 23.5µm	
Measured Wavelength Range	8 ~ 14µm	
Video Ratio (Sensor)	30fps	25fps
Video Output	VBS : 1.0VP-P, 75 , composite	
LENS		
Focal Length	F1.4, f=50mm	
Focal Range	SCB-9051 : 27m ~ ° , Pan focus, SCB-9050 : 0.5m ~ ° , Pan focus	
Viewing Angle (HxV)	SCB-9051 : 9.2° x 6.9°, SCB-9050 : 30° x 22.8°	
IFOV (Instantaneous Field of View)	SCB-9051 : 0.47mrad, SCB-9050 : 1.68mrad	
OPERATIONAL		
OSD	English, Japanese, Korean	
Sharpness	6 levels : Off ~ 5	
Brightness / Contrast	11 levels / (Auto, Manual : 10 levels)	
Digital Zoom	2x ~ 4x	
Noise Reduction Function	3D-DNR (4step : Low / Midium / High / Off)	
Polarity Function	B/W (Black & White) / W/B (White & Black)	
Communication	RS-485	
Protocol	Samsung-T, Pelco-D	
ENVIRONMENTAL		
Detecting temperature	Auto / Manual (2step) Low (-40°C ~ 150°C), High (0°C ~ 540°C)	
Operating Temperature / Humidity	-30°C ~ +55°C / Less than 90% RH	
MECHANICAL		
Dimension (WxHxD)	SCB-9051 : ø104(W) x 123(H) x 367(D)mm (4.09" x 4.84" x 14.45") SCB-9050 : ø104(W) x 123(H) x 352(D)mm (4.09" x 4.84" x 13.86")	
Weight	Approx. 2.2Kg (4.85 lb) (Including cables)	
Ingress Protection	IP66	
Certifications	FCC (Class A), UL/cUL listed	

Dimensions

Unit : mm (inch)



The Eco mark represents Samsung Techwin's will to create environment-friendly products, and indicates that the product satisfies the EU RoHS Directive.

Design and specifications are subject to change without notice.



SAMSUNG TECHWIN CO., LTD.

701, Sampyeong-dong, Bundang-gu, Seongnam-si, Gyeonggi-do Korea 463-400
Tel : +82-70-7147-8741~8749, 8752~8760 Fax : +82-31-8018-3745
www.samsungsecurity.com www.samsungcctv.com

SAMSUNG TECHWIN AMERICA Inc.
1480 Charles Willard St, Carson, CA 90746, UNITED STATES
Tel Free : +1-877-213-1222 Fax : +1-310-632-2195
www.samsungcctvusa.com

SAMSUNG TECHWIN EUROPE LTD.
Samsung House, 1000 Hillwood Drive, Hillwood Business Park
Chertsey, Surrey, UNITED KINGDOM KT16 0PS
Tel : +44-1932-45-5300 Fax : +44-1932-45-5325

TIANJIN SAMSUNG TECHWIN OPTO-ELECTRONICS CO., LTD.
No.11 Wei 6 Street, Micro-Electronic Industrial Park
Jingang Road, Tianjin, P.R. CHINA 300385
Tel : +86-22-23887788 Fax : +86-22-23887788

■ DISTRIBUTED BY



www.asi.ind.in