

Unparalleled durability, even more compact vandal-resistant dome



High Resolution WDR Vandal-Resistant Dome Camera

SCV-3081

Equipped with the SV-V DSP chipset from Samsung Techwin, the SCV-3081 is a highly durable vandal-resistant dome camera that delivers clear images with 600 TV Lines resolution and a 0.3 lux low light performance. Featuring a 3.9x (2.8~11mm) varifocal lens, it provides flexibility for various applications and is encased in an aluminum die-cast chassis for impact durability. In addition, there is built-in coaxial control compatibility, progressive scan and Intelligent Video Analytics (IVA).

- High resolution of 600TV lines, 700TV lines (B/W)
- Min.illumination 0.3Lux@F1.2 (Color), 0.01Lux (B/W)
- 3.9x V/F lens (2.8 ~ 11mm), true Day&Night (ICR), MD, SSNR III
- IP66, coax : Pelco-C, dual power

High Resolution WDR Vandal-Resistant Dome Camera

SCV-3081

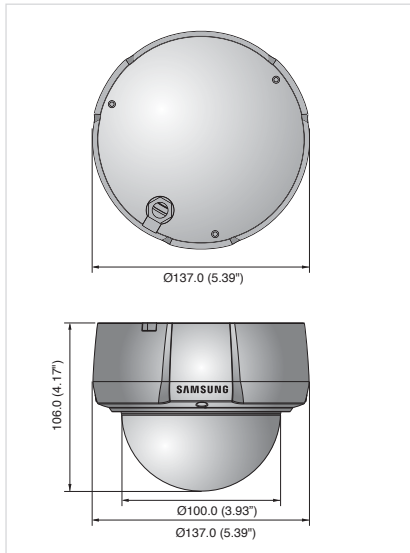


Specifications

	SCV-3081N	SCV-3081P
VIDEO		
Imaging Device	1/3" Super HAD CCD (Double Scan)	
Total Pixels	811(H) x 508(V)	795(H) x 596(V)
Effective Pixels	768(H) x 494(V)	752(H) x 582(V)
Scanning System	2 : 1 Interface	
Synchronization	Internal/Line Lock	
Frequency	H : 15.734KHz / V : 59.94Hz	H : 15.625KHz / V : 50Hz
Horizontal Resolution	Color : 600 TV lines, B/W : 700TV lines	
Min. Illumination	Color : 0.3Lux (50IRE@F1.2), 0.0006Lux(Sens-up, x512) B/W : 0.01Lux(50IRE@F1.2), 0.00002Lux(Sens-up, x512)	
S / N Ratio	52dB (AGC off, Weight on)	
Video Output	CVBS : 1.0 Vp-p / 75Ω composite	
LENS TYPE		
Focal Length (Zoom Ratio)	2.8 ~ 11mm (3.9x)	
Max. Aperture Ratio	1 : 1.2(Wide) ~ 2.8(Tele)	
Angular Field of View	H : 94.7(Wide) ~ 26(Tele) / V : 67(Wide) ~ 20(Tele)	
Min. Object Distance	0.2m	
Lens Type	DC Auto Iris	
Mount Type	Board Type	
PAN / TILT		
Pan Range	0° ~ 352°	
Tilt Range	0° ~ 73°	
Rotate Range	0° ~ 348°	
OPERATIONAL		
On Screen Display	English, Japanese, Spanish, French, Portuguese, Taiwanese, Korean	English, French, German, Spanish, Italian, Chinese, Russian, Polish, Czech, Romanian, Serbian, Swedish, Danish, Turkish, Portuguese
Camera Title	Off / On (Displayed 15 characters)	
Day & Night	Auto (ICR) / External / Color / B/W	
Backlight Compensation	Off / User BLC / HLC / SDR / WDR	
Wide Dynamic Range	128x (52dB)	160x (54dB)
Contrast Enhancement	SSDR	
Digital Noise Reduction	SSNR III (Off / On)	
Digital Image Stabilization	Off / On	
Motion Detection	Built-in	
Privacy Masking	Off / On (12 programmable zones)	
Sens-up (Frame Integration)	2x ~ 512x	
Gain Control	Off / Low / High	
White Balance	ATW / Outdoor / Indoor / Manual / AWC (1,700K° ~ 11,000K°)	
Electronic Shutter Speed	1/60 ~ 1/120,000 sec	1/50 ~ 1/120,000 sec
Digital Zoom	Off / On (1x ~ 16x)	
Reverse	Off / H-Rev / V-Rev / HV-Rev	
Profile	Basic, Day & Night, Backlight, ITS, Indoor, User	
VPS	Off / On	
Intelligent Video	Fixed_Moved, Area, Fence, Tracking, Detection, Counting	
PIP	Off / On	
Alarm	1 Out	
Communication	Coaxial Control (SPC-300 Compatible)	
Protocol	Coax : Pelco-C (Coaxitron)	
ENVIRONMENTAL		
Operating Temperature / Humidity	-10°C ~ +50°C (+14°F ~ +122°F) / up to 100%	
Ingress Protection	IP66	
ELECTRICAL		
Input Voltage	Dual (24VAC±10% & 12VDC±10%)	
Power Consumption	Max. 3W	
MECHANICAL		
Color / Material	Body : Ivory, ALDC12, Dome Cover : PC	
Dimension (WxH)	Ø137.0 x 106.0mm (5.39" x 4.17")	
Weight	700g (1.54 lb)	

Dimensions

Unit : mm (inch)



Accessories (Optional)



■ DISTRIBUTED BY



SAMSUNG TECHWIN AMERICA Inc.
100 Challenger Road, Suite 700, Ridgfield Park, NJ 07660, UNITED STATES
Tel Free : 1-877-213-1222 Fax : 1-201-373-0124
www.samsungsecurityusa.com



The Eco mark represents Samsung Techwin's will to create environment-friendly products, and indicates that the product satisfies the EU RoHS Directive.

Design and specifications are subject to change without notice.

www.asi.ind.in