



SVV

# High Resolution High Durability



High Resolution WDR Vandal-Resistant Dome Camera

## SCV-3080

Equipped with the SV-V DSP chipset, the SCV-3080 high durability vandal-resistant dome camera delivers clear images with 600TV lines and a 0.3Lux low light level. With a 3.9x (2.8~11mm) varifocal lens, it provides flexibility for installation and is encased in an aluminum die-cast chassis for impact durability. In addition, there is built-in coaxial control compatibility, VPS and intelligent video analytics for user convenience.

- High resolution of 600TV lines
- Low light illumination of 0.3Lux
- Built-in 3.9x (2.8~11mm) varifocal lens with auto iris
- Two types of installation (flush or surface mount)
- VPS, WDR, coaxial control support
- Intelligent video analytics, IP66

# High Resolution WDR Vandal-Resistant Dome Camera

## SCV-3080

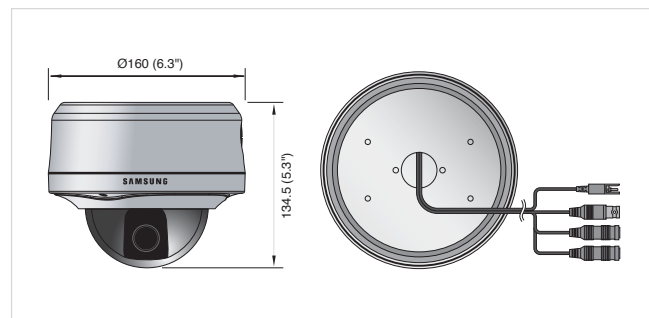


### Specifications

	SCV-3080N	SCV-3080P
<b>ELECTRICAL</b>		
Input Voltage	Dual (12V DC / 24V AC)	
Power Consumption	Max. 3.8W (Heater off), Max. 8W (Heater on)	
<b>VIDEO</b>		
Imaging Device	1/3" Vertical double density interline CCD	
Total Pixels	811(H) x 508(V)	795(H) x 596(V)
Effective Pixels	768(H) x 494(V)	752(H) x 582(V)
Scanning System	2 : 1 Interlace	
Synchronization	Internal / Line lock	
Frequency	H : 15.734KHz / V : 59.94Hz	H : 15.625KHz / V : 50Hz
Horizontal Resolution	Color : 600TV lines (Min.) / B/W : 700TV lines (Min.)	
Min. Illumination	Color : 0.3Lux (50IRE@F1.2), 0.0006Lux (Sens-up, 512x) B/W : 0.01Lux (50 IRE@F1.2), 0.00002Lux(Sens-up 512x)	
S / N (Y signal)	52dB	
Video Output	CVBS : 1.0Vp-p / 75Ω composite	
<b>LENS</b>		
Zoom Ratio	3.9x (Manual)	
Focal Length	2.8 ~ 11mm (F1.2)	
Max. Aperture Ratio	1 : 1.2(Wide) ~ 2.8(Tele)	
Min. Object Distance	0.2m (0.66ft)	
Angular Field of View	H : 94°(Wide) ~ 26°(Tele) / V : 67°(Wide) ~ 20°(Tele)	
<b>PAN / TILT / ROTATE</b>		
Pan Range	0° ~ 350°	
Tilt Range	0° ~ 90°	
Rotate Range	0° ~ 350°	
<b>OPERATIONAL</b>		
On Screen Display	English, Japanese, Spanish French, Portuguese, Taiwanese, Korean	English, French, German, Spanish, Italian, Chinese, Russian, Polish, Czech, Romanian, Serbian, Swedish, Danish, Turkish, Portuguese
Camera Title	On / Off (Displayed 15 characters)	
Day & Night	Auto (ICR) / Extern / Color / B/W	
Backlight Compensation	WDR / User BLC / HLC / SDDR / Off	
Wide Dynamic Range	128x	160x
Digital Zoom	On / Off (1x ~ 16x)	
Digital Image Stabilization	On / Off	
Intelligent Video Analytics	Detection / Tracking / Fixed / Moved / Alarm out	
Privacy Masking	On / Off (12 programmable zones)	
2D+3D Noise Filter (SSNRIII)	On / Off (Level adjustable)	
Sens-up (Frame Integration)	Auto / Off (Selectable limit ~ 512x)	
Gain Control	Low / High / Off	
White Balance	ATW / AWC / Manual / Indoor / Outdoor	
Electronic Shutter Speed	1/60 ~ 1/120,000sec	1/50 ~ 1/120,000sec
Shutter Mode	Fixed / ESC / Manual / A.FLK	
Flip / Mirror	Off / H-REV / V-REV / HV-REV	
Communication	Coaxial control (SPC-300 Compatible)	
Protocol	Coax : Pelco-C (Coaxitron)	
<b>ENVIRONMENTAL</b>		
Operating Temperature / Humidity	-50°C ~ +50°C (-58°F ~ +122°F) / Less than 90% RH	
<b>MECHANICAL</b>		
Dimension (WxH)	Ø160 x 134.5mm (Ø6.3" x 5.3")	
Weight	1.22Kg (2.69 lb)	
Ingress Protection	IP66	
Certifications	FCC (Class A), UL/cUL listed	CE (Class A), UL/cUL listed

### Dimensions

Unit : mm (inch)



Design and specifications are subject to change without notice.



The Eco mark represents Samsung Techwin's will to create environment-friendly products, and indicates that the product satisfies the EU RoHS Directive.



#### SAMSUNG TECHWIN CO., LTD.

701, Sampyeong-dong, Bundang-gu, Seongnam-si, Gyeonggi-do Korea 463-400  
Tel : +82-70-7147-8741~8749, 8752-8760 Fax : +82-31-8018-3745  
www.samsungsecurity.com www.samsungcctv.com

#### SAMSUNG TECHWIN AMERICA INC.

1480 Charles Millard St, Carson, CA 90746, UNITED STATES  
Tel: +1-977-213-1222 Fax: +1-310-632-2195  
www.samsungcctvusa.com

#### SAMSUNG TECHWIN EUROPE LTD.

Samsung House, 1000 Hillwood Drive, Hillwood Business Park  
Chertsey, Surrey, UNITED KINGDOM KT16 0PS  
Tel: +44-1932-45-5300 Fax: +44-1932-45-5325

#### TIANJIN SAMSUNG TECHWIN OPTO-ELECTRONICS CO., LTD.

No.11 Wei 6 Street, Micro-Electronic Industrial Park  
Jingang Road, Tianjin, P.R. CHINA 300395  
Tel: +86-22-23887788 Fax: +86-22-23887788

■ DISTRIBUTED BY



www.asi.ind.in