

HD60

STANDARD RESOLUTION FIXED LENS DAY/NIGHT FIXED DOME CAMERA WITH INFRARED ILLUMINATORS

The Performance Series rounds out Honeywell's camera portfolio with a variety of indoor, outdoor and low light cameras that lets end users pick the perfect camera for virtually any installation. Ideal for a diverse range of applications, the Performance Series includes a wide range of high performing IR bullet cameras and mini-domes that are easy to install and even easier to use.

The HD60 is a day/night camera that switches from color to black and white mode depending upon available light. The HD60 incorporates a 1/3" CCD that offers 380 TV lines of crisp, clear horizontal resolution. The cameras come equipped with 24 integrated LEDs, a built-in fixed lens (f=4.0 mm) and a 3-D axis gimbal that is capable of 360° of pan, 180° of tilt and 360° of horizontal rotation. In addition, the lens is separated from the LEDs by a boot mechanism which eliminates internal IR glare.

The HD60 integrates a camera, lens and LEDs into a one piece compact unit which can be ceiling or wall mounted for fast and easy installation. It is attractive and unobtrusive yet provides a crime-detering presence round-the-clock with its excellent low light imaging protection. It comes standard with a two-conductor pigtail that connects to the barrel connector so there is no need to cut wires during installation. It also features a video out port for easy focus. The HD60 is designed for use in challenging environments.

Market Opportunities

The HD60 is a cost effective surveillance solution for applications that experience changing light conditions throughout the day. The HD60 offers a simple yet solid design that provides optimum performance for all indoor applications including lobbies, schools, commercial, residential or hotel lobbies – anywhere surveillance must be discreet.

Features

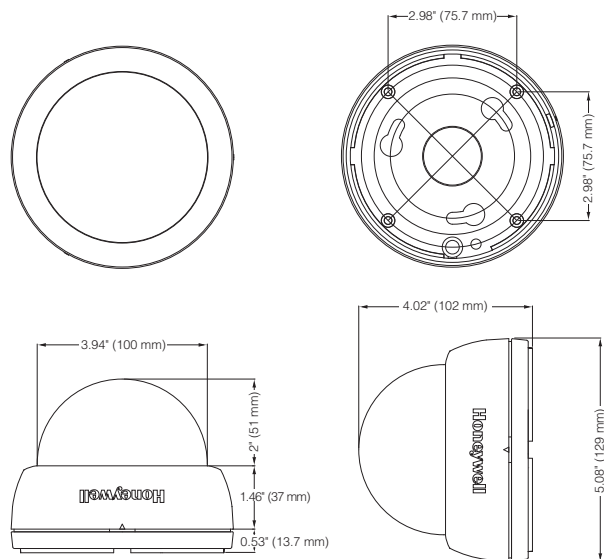
- Standard resolution color: 380 TVL - 1/3" Sony Super HAD CCD
- Day/night with 24 LEDs
- Built-in fixed lens (f=4.0 mm)
- ABS dome and acrylic housing
- Photocell-controlled and powered by an array of 24 high-efficiency LEDs (850 nm)
- User-friendly design for easy access and adjustment of camera settings
- Even distribution IR for optimal image capture
- Total effectiveness in zero lux environments
- IR LED visible range of 50 ft. (15m)
- 3-D axis gimbal
- Video out port for setup
- Two-conductor pigtail is standard for connection to barrel connector



SPECIFICATIONS

| Operational | |
|---|---|
| Video Standard | NTSC, PAL |
| Scanning System | 2:1 Interlace |
| Image Sensor | 1/3" Sony HAD CCD sensor |
| Number of Pixels (H x V) | 537 x 505 (NTSC) 537 x 597 (PAL) |
| Minimum Illumination | 0.0 lux, operates in complete darkness |
| Horizontal Resolution | 380 TVL |
| Video Output | 1.0 Vp-p, composite @ 75 Ohms |
| Sync System | Internal |
| S/N Ratio | 48 dB or more (AGC Off) |
| Auto Gain Control | On/Off |
| Automatic Electronic Shutter | 1/60–1/100,000 second (NTSC) 1/50–1/100,000 second (PAL) |
| White Balance | Auto |
| IR LEDs | 850 nm, 24 LEDs |
| IR Illumination Distance (dependent on scene reflectance) | ~ 50 ft. (15m) |
| BLC | On/Off |
| Gamma | 0.45 |
| Lens Type | Built-in fixed (f=4.0 mm) |
| Angle of View | H: 68° V: 50° |
| Electrical | |
| Input Voltage | 12 VDC |
| Input Range | 10-14 VDC |
| Power Consumption | 5 W (max) with IR LEDs on |
| Mechanical | |
| Dimensions | See Diagram |
| Weight | 0.8 lb (0.366 kg) |
| Construction | Housing: ABS Dome: Acrylic Finish: Light gray |
| Connector | Main Video: BNC connector Aux Video: 2-pin connector for video test cable (supplied) Power Input: 2.1 mm Plug |

| Environmental | |
|-------------------|--|
| Temperature | Operating: 14°F to 122°F (-10°C to 50°C) Storage: -4°F to 140°F (-20°C to 60°C) |
| Relative Humidity | 0% to 90% non-condensing |
| Regulatory | |
| Emissions | FCC, CE: (EN55022) Class A |
| Immunity | CE: EN 50130-4 |
| Safety | EU: EN 60065 |
| Accessories | |
| Power Supplies | |
| HPT12DC500 | 12 VAC/500 mA Plug-in Regulated 2.1 mm Coaxial Plug UL Listed/CSA Certified |



| Ordering | |
|----------|--|
| HD60 | 1/3" CCD Integrated Day/Night Standard Resolution IR Fixed Mini Dome Camera, 380 TVL, 24 LEDs, Fixed 4.0 mm, 12 VDC NTSC |
| HD60X | 1/3" CCD Integrated Day/Night Standard Resolution IR Fixed Mini Dome Camera, 380 TVL, 24 LEDs, Fixed 4.0 mm, 12 VDC PAL |

Automation and Control Solutions

Honeywell Systems
2700 Blankenbaker Pkwy, Suite 150
Louisville, KY 40299
1.800.323.4576
www.honeywell.com

L/HD60D/D
November 2010
© 2010 Honeywell International Inc.

Honeywell