

HD3D

HIGH RESOLUTION VFAI LENS TRUE DAY/NIGHT INDOOR MINIDOME CAMERA

Honeywell's True Day/Night HD3D Series integrates a camera and lens into a single piece, tamper proof, compact unit designed to be surface or flush mounted for fast and easy installation. The HD3D is a True Day/Night camera that automatically switches from color to black and white mode depending upon available light. It uses a removable infrared (IR) cut filter and an optical low-pass filter (OLPF) in black and white mode to guarantee superior image quality at any time of day or night. Setup is quick and easy with easy-to-access switches on top of the camera. The compact surface mount or flush one-piece mount design allows for fast, easy installation and a wall/pendant mount kit is available in off white for inconspicuous installation in virtually any application. The housing is designed to easily mount directly to a ceiling or wall, and a 4S adapter plate is supplied with the unit for mounting over an electric box. A service/monitor cable is also included for easy on-site adjustments.

The HD3D incorporates a 1/3" CCD that offers 540 TV lines of crisp, clear horizontal resolution with a minimum illumination of 0.4 lux (or 0.0 lux with external IR illumination). The cameras come equipped with a 2.8 – 10 mm (F1.3) aspherical IR corrected Varifocal Auto Iris lens to cover a wide range of viewing angles, and picture adjustment after installation is easy with the 3D axis gimbal that is capable of 360° of pan, 180° of tilt and 360° of horizontal rotation. The HD3D also features a tamper-resistant lockable cover and a "cable management" housing design for installations requiring the video and power connectors to be contained within the housing base.

The HD3D accepts either 12 V DC or 24 V AC (auto sensing) for proper operation and flexible installation. The Backlight Compensation (BLC) and Auto Tracking White Balance (ATW) ensure crisp color images in dark or backlit environments such as windows and doorways. The Automatic Gain Control (AGC) feature increases the signal strength from the camera when scene lighting is low, keeping the picture sharp and viewable.

Market Opportunities

The HD3D True Day/Night Series camera is designed for cost-effective installations that require the highest image quality possible, where light conditions are less than optimal. It is ideal in commercial or residential sites, daycare centers, retail stores or hospitals – anywhere surveillance must be discreet.

Features

- 1/3" Sony Interline CCD
- High resolution color: 540 TV lines with mechanical IR cut filter technology
- Single model for surface mount and recessed ceiling applications, 4S adapter plate also supplied
- Tamper resistant dome offers secure installation
- Polycarbonate housing and dome
- Easy to use "cable management" housing design
- Clear dome with liner for discretion with no light loss
- 2.8 – 10 mm (F1.3) IR Corrected Aspherical Varifocal Auto Iris lens
- Local video output for setup
- 3D axis gimbal
- Line Lock with phase adjustment (24 V AC)
- Dual 12 V DC/24 V AC voltage
- Housing available in Off White
- Pendant and wall mount kit available



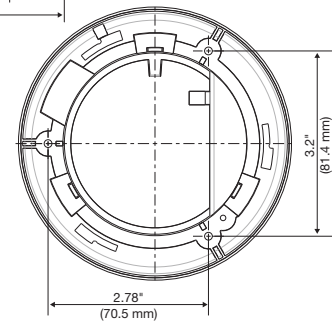
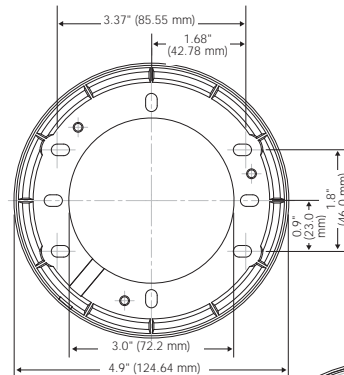
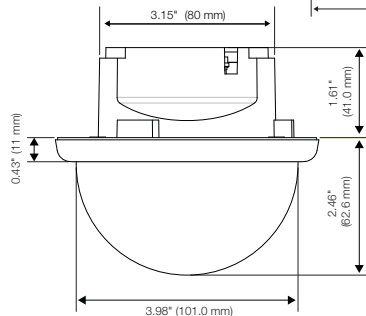
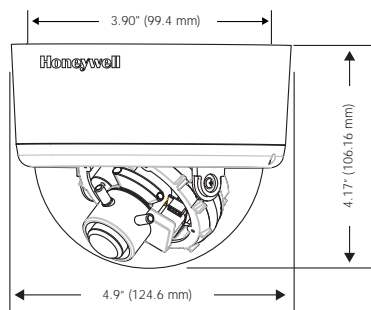
HD3D Series
shown with
mount ring for
surface mount

HD3D Series
shown without
mount ring for
flush mount

SPECIFICATIONS

Operational	
Video Standard	NTSC/PAL
Scanning System	525/60 lines (NTSC), 625/50 lines (PAL)
Image Sensor	1/3" Sony CCD color image sensor
Number of Pixels (H x V)	768 x 494 (NTSC), 752 x 582 (PAL)
Minimum Illumination	0.4 lux @ F1.3 (AGC on, 50 IRE) 0.0 lux @ F1.3 (with external IR illumination*)
Horizontal Resolution	540 TVL
Video Output	1.0 Vp-p, composite @ 75 ohms
Sync System	12 V DC: Internal, 24 V AC: Line lock
S/N Ratio	50 dB (AGC Off)
Auto Gain Control	On/off, selectable
ALC	Auto Iris: DC drive
Automatic Electronic Shutter	1/60 – 1/100,000 second (NTSC) 1/50 – 1/100,000 second (PAL)
White Balance	ATW/AWC
Line Lock Phase Adjust	Adjustable (available only with 24 V AC)
BLC	On/off, switchable
Flickerless	On/off, switchable
Lens Type	2.8 to 10 mm, Varifocal Auto Iris, F1.3
Angle of View	Tele: 34.3° (D), 27.4° (H), 20.5° (V) Wide: 129° (D), 100.2° (H), 73.3° (V)
Electrical	
Input Voltage	12 V DC/24 V AC
Input Range	11-16 V DC, 17-28 V AC
Surge Suppression	1.5 kW Transient
Power Consumption	3.5 W (max)

*IR Illuminator sold separately.



Mechanical	
Dimensions (W x H)	4.9" x 4.17" (124.6 mm x 106.2 mm)
Weight	0.66 lb (0.3 kg) max
Construction	Housing: Polycarbonate/ABS Dome: Polycarbonate Finish: Matte texture, Off White
Connectors	Video Output: BNC connector Power Input: (Screw terminal block)
Environmental	
Temperature	Operating: 14°F to 122°F (-10°C to 50°C) Storage: -4°F to 140°F (-20°C to 60°C)
Relative Humidity	0% to 90% non-condensing
Regulatory	
Emissions	FCC, CE (EN55022)
Immunity	CE (EN50130-4)
Safety	UL60065, EU: EN60065
Recommended Accessories	
Housing Mounts	
HD3-MK1	Wall/Pendant Mount Kit, Off White

Ordering	
HD3D	TDN Indoor Fixed Minidome Camera, 1/3" CCD, 540 TVL, 2.8 - 10 mm VFAI Lens, 12 V DC/24 V AC, NTSC
HD3DX	TDN Indoor Fixed Minidome Camera, 1/3" CCD, 540 TVL, 2.8 - 10 mm VFAI Lens, 12 V DC/24 V AC, PAL

NOTE: Honeywell reserves the right, without notification, to make changes in product design or specifications.

Automation and Control Solutions

Honeywell Systems
2700 Blankenbaker Pkwy, Suite 150
Louisville, KY 40299
1.800.323.4576
www.honeywell.com

L/HD3DD/D
December 2012
© 2009 Honeywell International Inc.