

## HD4MWHI

www.honeywellvideo.com

### equiP® SERIES WIDE DYNAMIC 720p TRUE DAY/NIGHT RUGGED INDOOR/OUTDOOR MINIDOME IP CAMERA

Honeywell's latest addition to the equiP® Series of IP-based products, the HD4MWHI is a high definition, Wide Dynamic, True Day/Night rugged indoor/outdoor fixed minidome network camera. This ultra compact and vandal-resistant camera provides extremely crisp images at minimal bandwidth. The HD4MWHI provides 720p resolution at full frame rate. Progressive scan technology and 2D edge enhancement provide outstanding clarity and definition. Digital Noise Reduction results in significant storage savings without sacrificing image quality in low light. The 1/3" progressive scan CMOS sensor offers the latest in digital video surveillance technology with accurate color rendition through a wide variety of lighting conditions. The HD4MWHI also supports the PSIA specification for interoperability between network video products.

The HD4MWHI integrates a camera and lens in an ultra compact, single piece, tamper-proof unit for fast and easy installation in any application. The camera comes complete with surface and flush mounting options. Wall and pendant mount kits are also available.

In addition to the low light color performance, the camera will automatically switch to black and white. In this mode, lighting can be complemented with infrared for discreet/covert low-light surveillance with exceptional monochrome images. In high contrast lighting conditions, the HD4MWHI delivers higher quality images and significantly better dynamic range (>100 dB) than conventional IP cameras. Designed for environments with difficult lighting, the HD4MWHI camera offers a unique solution to capture the whole picture regardless of lighting condition or application.

A 3D axis gimbal capable of 360° of pan, 180° of tilt and 360° of horizontal rotation simplifies mechanical camera adjustment. The Varifocal Auto Iris (VFAI) lens allows the field of view to be adjusted to suit the scene requirements, and an integrated analog output allows the installer to connect a local test monitor while adjusting the camera field of view.

A powerful and intuitive web client allows fine tuning of the camera and the auto iris levels. This can also be performed from most NVR setup utilities.

The HD4MWHI supports dual video streams and multiple compression formats with rates up to 30 frames per second (25 fps for PAL systems). The digital compression parameters for the two video streams are independently configurable. The primary stream is dedicated to H.264. The secondary stream can be configured for H.264 or MJPEG. The HD4MWHI features analog video out for aiming and focusing.

With built-in low current Power over Ethernet (IEEE 802.3af), power is supplied to the camera using standard network cabling, eliminating the need for a separate power supply and associated wiring. In retrofit situations where PoE is not available, the unit can also be powered directly from 24 V AC.

#### Market Opportunities

The HD4MWHI is perfect for installations where excellent picture clarity at minimal bandwidth is required. At three times the resolution of standard analog cameras, yet with similar bandwidth requirements, the HD4MWHI can be retrofitted on many existing NVR installations without requiring additional storage. Its discreet, vandal-resistant, outdoor design provides maximum protection against dust, dirt and water and provides optimum performance for both indoor and outdoor applications.

#### Features

- Outstanding image quality, 720p (1280 × 720) resolution
- 30 fps (25 fps PAL) progressive scan
- True Day/Night, 3.3-12 mm VFAI lens with mechanical IR cut filter
- Dynamic Range: 115 dB
- Camera tamper detection
- Video motion detection
- Wall and pendant mount kits available
- Selectable compression formats
- PSIA support
- Dual digital video streams, independently configurable, H.264 and/or H.264/MJPEG
- Remote firmware update
- Supports both dynamic and static IP addresses
- Includes advanced IP locator software to make system setup easy
- Web server for remote setup of camera video and network parameters
- Choice of 24 V AC or PoE IEEE 802.3af power inputs
- Supports input and output alarm contacts
- Supports bidirectional audio
- Rugged polycarbonate dome

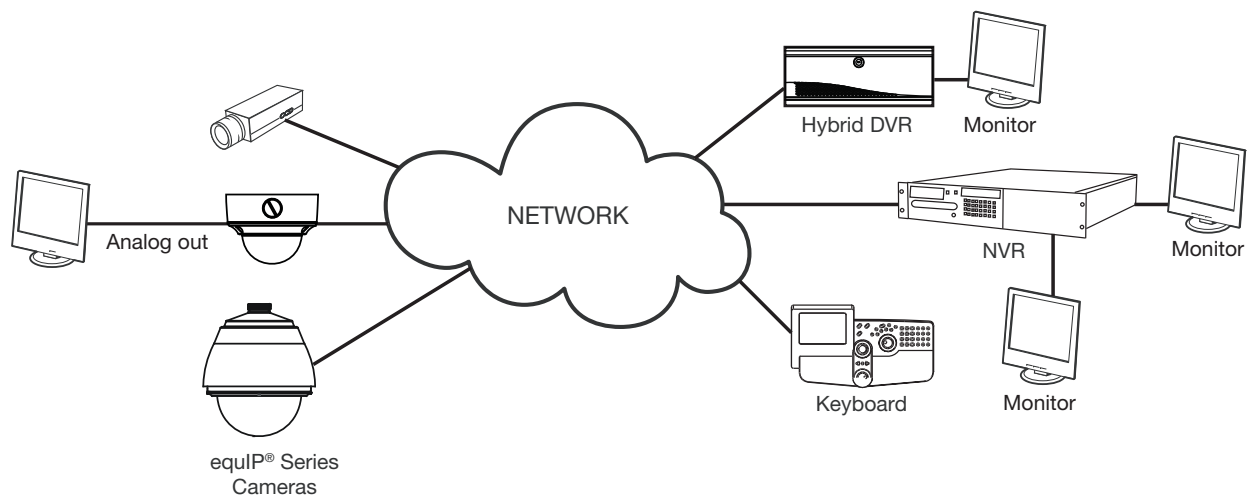


## SPECIFICATIONS

Like all cameras in the equiP Series of IP-based products, the HD4MWHI network camera uses Honeywell technology for camera video motion detection, tamper detection, remote firmware updating and for secure storage of all camera settings. Video motion detection recognizes object motion within the field of view, then a simple on-screen notification alerts the user. Camera tamper detection notifies the user when a camera's field of view is altered, blinded or blurred. This ensures the video's integrity and alerts the customer to either a live event or a system problem that is causing disruption to the video stream. Honeywell's technology also allows users to remotely upload firmware to the camera. Setup is quick and easy and can be customized through a web client or from an NVR. The built-in web server provides password-protected access to the camera's video and network setup.



## System Diagram



## SPECIFICATIONS

Operational			
Video Standard	NTSC, PAL		
Scanning System	Progressive scan		
Image Sensor	1/3" CMOS		
Number of Pixels (H x V)	1280 x 720		
Minimum Illumination	0.14 lux color/0.1 lux BW @ 50 IRE, F1.6		
Automatic Lens Control	DC Iris Level 1-25		
Video Output (AUX)	1.0 Vp-p @ 75 ohms		
Dynamic Range	115 dB		
S/N Ratio	50 dB or more (AGC off)		
Auto Gain Control	Off/On, selectable (20-40 dB)		
Automatic Electronic Shutter	1/30-1/87,000 sec (NTSC and PAL)		
Lens Type	True Day/Night (TDN), 3.3-12 mm Varifocal Auto Iris, F1.6		
Angle of View		Wide	Tele
	Diagonal	125.7°	29.9°
	Horizontal	89.8°	23.9°
	Vertical	63.6°	17.9°
White Balance	Auto, Manual, WBC Push		
Audio/Two-Way	Line in/out		
Electrical			
Input Voltage	24 V AC, PoE IEEE 802.3af		
Input Range	17-28 V AC		
Surge Suppression	1.5 kW transient		
Power Consumption	5.0 W (max) 24 V AC PoE: PD Type 1 Class 2		
Mechanical			
Dimensions (W x H)	6.1" x 4.6" (156.0 mm x 117.5 mm)		
Weight	2.86 lb (1.3 kg) camera only		
Construction	Housing: Die cast Aluminum Finish: Light Gray Powder Coat Dome: Polycarbonate		
Connector	Video Output (AUX): 2-pin Molex connector Power Input: Removable screw block Network: RJ45 connector Alarm I/O: Removable screw block Audio In: Removable screw block Audio Out: Removable screw block		

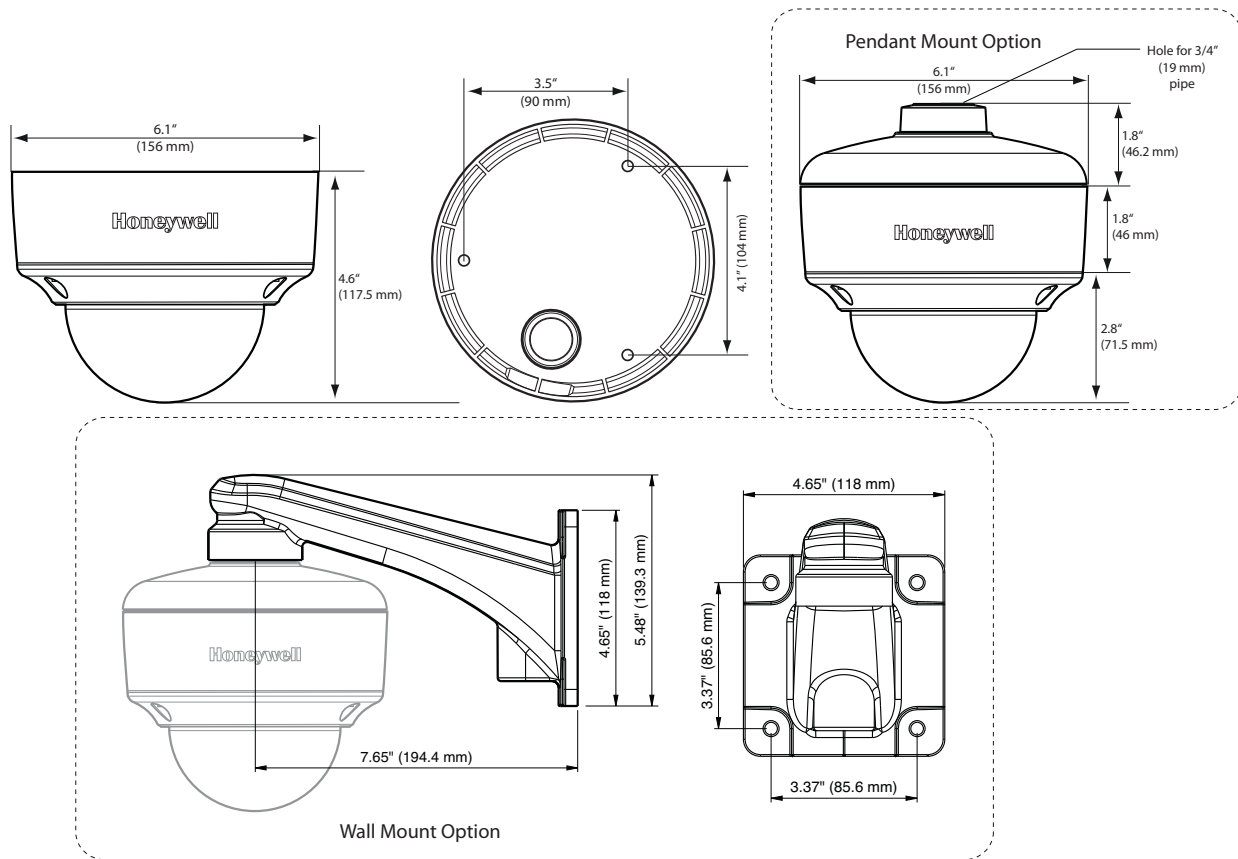
Environmental			
Temperature	Operating: -13°F to 131°F (-25°C to 55°C) Storage: -40°F to 158°F (-40°C to 70°C)		
Relative Humidity	0% to 85%, non-condensing		
Rating	IP66		
IP Specifications			
Video Compression	Dual stream H.264 and MJPEG		
Primary Stream Resolution	Bitrate H.264 (Typical)*	Frame Rate	Storage/Day (GB)
1280 x 720	2.7 Mbps	30/25	28.48
800 x 450	1.8 Mbps	30/25	18.98
640 x 360	0.9 Mbps	30/25	9.49
320 x 180	0.315 Mbps	30/25	3.32
Frame Rate NTSC/PAL	Up to 30/25 fps video in all resolutions		
Video Streaming	Dual streaming: H.264 and MJPEG Controllable frame rate and bandwidth Constant or variable bit rate		
Security	Multiple user access levels with password protection		
Video Access from Web Browser	Full control of all camera settings available to administrator		
Minimum Web Browsing Requirements	Pentium IV CPU 3.1 GHz or faster 1 GB RAM (32-bit) or 2 GB RAM (64-bit) Windows XP® SP3, Windows 2003 Server R2 (32-bit), Windows 7 (32-/64-bit), Windows 2008 Server (32-/64-bit), Windows 2008 R2 (64-bit) Internet Explorer 6, 7, 8, or 9		
Installation and Management Maintenance	Honeywell IP Utility software identifies the IP address, discovers cameras, supports firmware upgrades		
Supported Protocols	HTTP, TCP, RTSP, RTP, UDP, ARP, DNS, RTCP, FTP, ICMP, DHCP, Bonjour, IGMP, Telnet		
Standards	PSIA support		
Regulatory			
Emissions	FCC, CE (EN55022)		
Immunity	CE (EN50130-4)		
Safety	EU: EN60950-1 North American ETL listed to UL/CSA 60950-1		

\*Actual bitrate is scene and motion dependent with H.264 stream.

## SPECIFICATIONS

System Integration
<b>Open IP Integration</b>
PSIA support and open API for real interoperability between Honeywell and other manufacturer's IP-enabled security devices. Refer to the Honeywell Open Technology Alliance [ <a href="http://www.security.honeywell.com/hota/">http://www.security.honeywell.com/hota/</a> ] to learn more about our open and integrated solutions.

Accessories	
Housing and Mounts	
HD4CHIP-PK	Pendant Mount Bracket
HD4CHIP-WK	Wall Mount Bracket



Ordering	
HD4MWHI	Network True Day/Night Rugged Fixed Minidome Camera, 1/3" Progressive Scan, CMOS, Wide Dynamic 720p Resolution, 3.3-12 mm VFAI Lens, 24 V AC or PoE IEEE 802.3af, H.264, NTSC
HD4MWHIX	Network True Day/Night Rugged Fixed Minidome Camera, 1/3" Progressive Scan, CMOS, Wide Dynamic 720p Resolution, 3.3-12 mm VFAI Lens, 24 V AC or PoE IEEE 802.3af, H.264, PAL

NOTE: Honeywell reserves the right, without notification, to make changes in product design or specifications.

### Automation and Control Solutions

Honeywell Systems  
 2700 Blankenbaker Pkwy, Suite 150  
 Louisville, KY 40299  
 1.800.323.4576  
 www.honeywell.com

