

HB75

HIGH RESOLUTION VFAI LENS TRUE DAY/NIGHT IR INDOOR/OUTDOOR BULLET CAMERA

The Performance Series rounds out Honeywell's camera portfolio with a variety of indoor, outdoor and low-light cameras that lets end users pick the perfect camera for virtually any installation. Ideal for a diverse range of applications, the Performance Series includes a wide range of high performing IR bullet cameras and minidomes that are easy to install and even easier to use.

The HB75 IR bullet-style camera comes standard with IR illumination, making it perfect for 24/7 surveillance. The HB75 utilizes smart infrared technology. Auto LED brightness adjustment provides even distribution of the IR, eliminating excessive illumination and washed out video. When the ambient light drops below a user-defined threshold, the 18 IR LEDs activate, a mechanical IR cut filter within the camera switches, and the camera changes automatically from color to black-and-white mode, resulting in perfect color pictures by day and clear black-and-white images at night.

The 3.8 – 9.5 mm F1.4 aspherical varifocal auto iris lens offers a wide field of view range and does not shift focus when the camera switches from day to night mode. Digital Noise Reduction (DNR) removes noise artifacts, increasing the performance of motion detection — giving users the ability to record for longer periods using their existing DVR unit.

The HB75 installs quickly and easily. It comes standard with a two-conductor pigtail that connects to the barrel connector so there is no need to cut wires during installation. The mounting bracket installs quickly and securely with three screws on walls or ceilings, indoors or out.

Market Opportunities

The HB75 is a cost-effective surveillance solution for applications that experience changing light conditions throughout the day and require extra illumination at night. The HB75 offers a simple yet solid design that provides optimum performance for both indoor and outdoor applications including lobbies, courtyards, vestibules, gated entrances, foyers, loading docks and driveways.

Features

- 1/3" interline transfer CCD
- High resolution color: 600 TV lines
- True day/night with 18 IR LEDs
- 3.8 – 9.5 mm VFAI lens, F1.4
- Digital noise reduction technology for noise free images
- Smart IR for even distribution of the IR to prevent excessive illumination
- Privacy zones, mirror function
- Easy to install mounting bracket reduces installation time
- Waterproof housing with IP66 rating
- Breather vent to help eliminate condensation build-up
- IR LED visible range of up to 65 ft. (20 m), depending on scene reflectance
- 3D axis gimbal
- Local video output port for easy setup
- Two-conductor pigtail for connection to barrel connector
- 12 V DC input



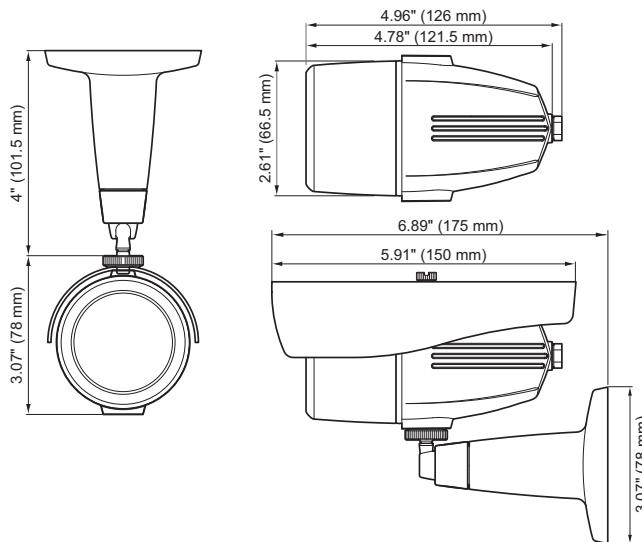
SPECIFICATIONS

Operational	
Video Standard	NTSC
Scanning System	2:1 interlaced
Image Sensor	1/3" Interline Transfer CCD
Number of Pixels (H x V)	768 x 494
Minimum Illumination	0 lux (IR LEDs on)
Horizontal Resolution	600 TVL
Video Output	1.0 Vp-p, composite @ 75 ohms
Sync System	Internal
S/N Ratio	50 dB Min. (Sharpness, AGC off)
Auto Gain Control	On, Off (Adjustable)
Automatic Electronic Shutter	1/60 – 1/120,000 s
White Balance	ATW, Manual, Push
Digital Noise Reduction (DNR)	Off, Low, Middle, High
IR LEDs	850 nm, 18 LEDs
IR Illumination Distance	Up to 65 ft. (20 m), depending on scene reflectance
SBLC	Off, Low, Middle, High
Day/Night	IRET, Color, B/W
Burst	On, Off
Lens Type	3.8 – 9.5 mm VFAI, F1.4
Angle of View	D: 90.1° – 37.1° H: 70.7° – 29.2° V: 52.2° – 22.3°

Electrical	
Input Voltage	12 V DC ±10%
Power Consumption	400 mA/4.8 W (max, IR on)
Mechanical	
Dimensions (W x H x D)	6.89" x 7.07" x 2.61" (175.0 mm x 179.5 mm x 66.5 mm), including sunshield
Weight	1.7 lb. (0.8 kg) max
Construction	Housing: Die cast aluminum Window: Polycarbonate Finish: Light gray powder coating
Connectors	Main Video: BNC connector Power Input: 2.1 mm plug
Environmental	
Temperature	Operating: 14°F to 122°F (-10°C to 50°C) Storage: -4°F to 140°F (-20°C to 60°C)
Rating	IP66
Recommended Accessories	
Power Supply	
HPT12DC500	12 V DC / 500 mA Plug-in Regulated 2.1 mm Coaxial Plug UL Listed/ CSA Certified
Regulatory	
Emissions	FCC, Part 15B, Class A
Immunity	EN50130-4

NOTE: Honeywell reserves the right, without notification, to make changes in product design or specifications.

Dimensions



Ordering

HB75	TDN Indoor/Outdoor IR Bullet Camera, 1/3" CCD, 600 TVL, 3.8 – 9.5 VFAI Lens, 18 IR LEDs, 12 V DC, NTSC
------	--

Automation and Control Solutions

Honeywell Security Products Americas
2700 Blankenbaker Pkwy, Suite 150
Louisville, KY 40299
1.800.323.4576
www.honeywell.com