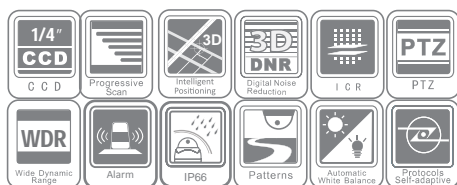


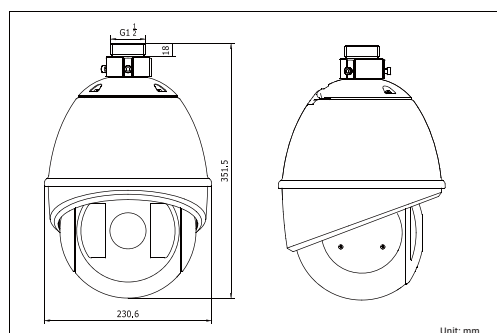
## DS-2AF1-713/715-B IR WDR Analog High Speed Dome



### Key Features

- 1/4" Sony EXVIEW HAD progressive scan CCD
- 128x wide dynamic range
- 540TVL high resolution
- True day / night
- 80m IR range
- 3D digital noise reduction
- IP66 rating

### Dimensions



### Accessories



	DS-2AF1-713-B	DS-2AF1-715-B
<b>Camera</b>		
Image sensor	1/4" Sony EXVIEW HAD progressive scan CCD	
Effective pixel	PAL: 752 (H) × 582 (V), NTSC: 768 (H) × 494 (V)	
Horizontal resolution	Color: 540 TVL, B/W: 570 TVL	
Signal system	PAL / NTSC	
Min. illumination	Color: 0.7 lux@F1.4, B/W: 0.01 lux@F1.4 0 lux with IR	Color: 0.65 lux@F1.35, B/W: 0.005 lux@F1.35 0 lux with IR
White balance	Auto / manual / ATW / indoor / outdoor	
AGC	Auto / manual	
S/N ratio	≥ 50dB	
BLC	On / off	
WDR	128x (on / off / auto)	
Anti-shake	—	On / off
Shutter time	PAL: 1/3 ~ 1/10,000s, NTSC: 1/4 ~ 1/10,000s	
Day & night	IR cut filter	
Digital zoom	12x	
Privacy mask	24 privacy masks programmable; a maximum of 8 zones can be masked simultaneously on the same video screen	
Focus model	Auto / semi-automatic / manual	
<b>Lens</b>		
Focal length	4.1 ~ 73.8mm, 18x	3.5 ~ 98mm, 28x
Zoom speed	Approx. 2.0s (optical Wide-Tele)	Approx. 1.7s (optical Wide-Tele)
Angle of view	48 ~ 2.8° (Wide-Tele)	55.8 ~ 2.1° (Wide-Tele)
Min. working distance	290 ~ 800mm (Wide-Tele)	10 ~ 1,500mm (Wide-Tele)
Aperture range	F1.4 ~ F3.0	F1.35 ~ F3.7
<b>Pan and tilt</b>		
Pan range	360° endless	
Pan speed	Pan manual speed: 0.1° ~ 160°/s, pan preset speed: 240°/s	
Tilt range	-10° ~ 90° (auto flip)	
Tilt speed	Tilt manual speed: 0.1° ~ 120°/s, tilt preset speed: 200°/s	
Proportional zoom	Rotation speed can be adjusted automatically according to zoom multiples	
Number of preset	256	
Patrol	8 patrols, up to 32 presets per patrol	
Pattern	4 patterns, with the total recording time not less than 10 min	
Power loss recovery	Support	
Park action	Preset / patrol / pattern / pan scan / tilt scan / random scan / frame scan / panorama scan	
PTZ position display	On / off	
Freeze frame	Support	
Password protection	Support	
Zone scanning / display	Scanning within programmed zone, display zone title	
Camera title	Programmable title display	
Compass	Support, the north can be set	
Scheduled task	Preset / patrol / pattern / pan scan / tilt scan / random scan / frame scan / panorama scan	
RS-485 communication diagnosis	Including failure information, e.g., wrong address, baud rate errors, et., displayed on the video screen in text	
Manchester code communication diagnosis	Including failure information, e.g., wrong address, baud rate errors s displayed on the video screen in special characters	
<b>Infrared</b>		
IR range	80m	
IR irradiation angle	Adjustable by zoom	
<b>Alarm</b>		
Alarm input	2 (additional wires required)	
Alarm output	2 relay outputs, alarm response actions configurable (additional wires required)	
Alarm action	Preset / patrol / pattern / pan scan / tilt scan / random scan / frame scan / panorama scan / relay output	
<b>Input / output</b>		
Monitor output	1.0V(p-p) / 75Ω, NTSC (or PAL) composite, BNC	
<b>Fiber interface (available for fiber dome only)</b>		
Data mode	1-channel analog video and 1-channel reverse RS-485 data	
Physical interface	FC (SC optional)	
Fiber wavelength	TX1310 / RX1550nm	
Fiber type	Single fiber / single mode	
Transmission distance	20km, 40km / 60km / 80km optional	
<b>General</b>		
Menu language	English, Chinese	
RS-485 protocols	HIKVISION, Pelco-P, Pelco-D, self-adaptive	
Power supply	24 VAC (12 VDC optional)	
Power consumption	40W max.	
Working temperature / humidity	-30°C ~ 65°C (-22°F ~ 149°F), 90% or less	
Protection level	IP66 standard, TVS 3,000V lightning protection, surge protection and voltage transient protection	
Mounting	Various mounting modes optional	
Dimensions	Φ 230.6 × 351.5mm (Φ 9.08" × 13.84")	
Weight (approx.)	5.5kg (12.13lbs)	