

DH-IPC-A7-I/A7W-I

VGA Network P/T Camera



Features

- 1/4" VGA CMOS
- H.264 dual-stream encoding
- Max 30fps@VGA (640×480)
- Day/Night(ICR), 2DNR, AWB, AGC, BLC
- Multiple network monitoring: Web viewer, CMS(DSS/PSS) & DMSS
- 4.3mm fixed lens
- Max. IR LEDs length 10m
- PIR Sensor Range 5m
- SD memory

DH-IPC-A7-I/A7W-I

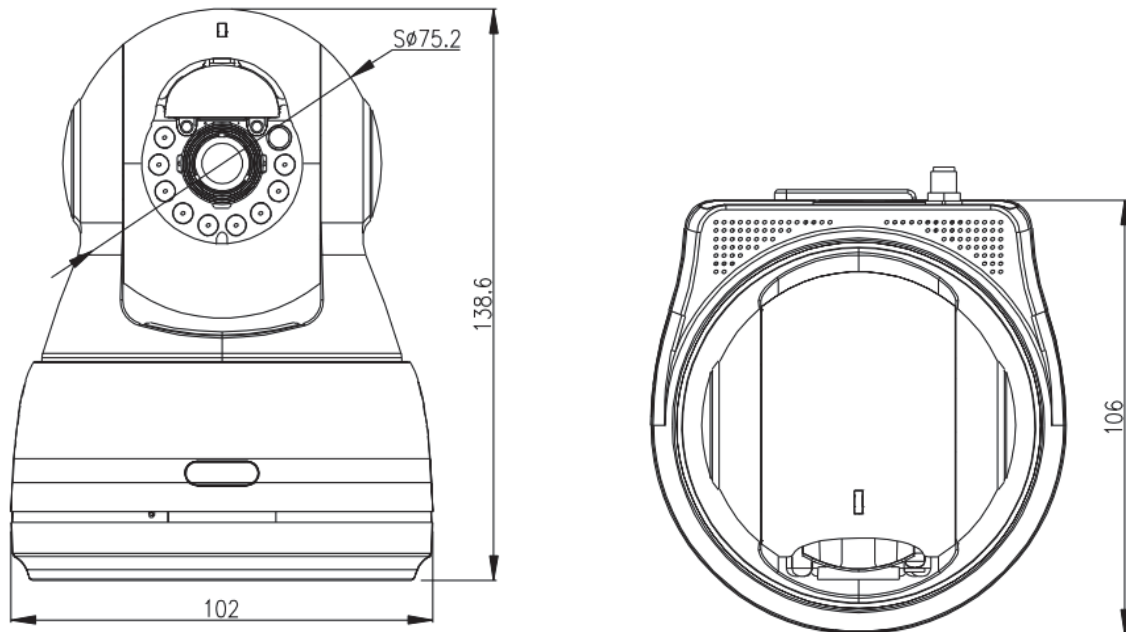
Technical Specifications

Model	DH-IPC-A7-I		DH-IPC-A7W-I	
Camera				
Image Sensor	1/4" VGA CMOS			
Effective Pixels	640(H)x480(V)			
Scanning System	Progressive			
Electronic Shutter Speed	Auto/Manual 1/25~1/10000 (PAL) Auto/Manual 1/30~1/10000 (NTSC)			
Min. Illumination	0.2lux/F1.4(color),0.1Lux/F1.4(B/W),0Lux(IR on)			
S/N Ratio	50dB			
Video Output	External			
Camera Features				
Max. IR Length	10m			
Day/Night	Auto(ICR)/Color/B/W			
White Balance	Auto			
Gain Control	Auto			
Noise Reduction	2D			
Privacy Masking	Four privacy zone			
Lens				
Focal Length	4.3mm			
Max Aperture	F1.8			
Angle of View	H:52°			
Mount Type	Board-in Type			
Video				
Compression	H.264			
Resolution	VGA(640×480) / CIF(352×288 / 352×240) / QVGA(320×240) / QCIF(176×144 /176×128) / QQVGA(160×120)			
Frame Rate	Main Stream	VGA/CIF/QCIF/QVGA/ (1 ~ 25/30fps)		
	Sub Stream	QCIF/QVGA/QQVGA(1 ~ 25/30fps)		
Bit Rate	H.264: 32K ~ 3072Kbps			
Audio				
Compression	G.711a / G.711u (64kbps)/ PCM(128kbps)			
Interface	1/1 channel In/Out/ Build-in Mic			
Network				
Ethernet	RJ-45 (10/100Base-T)		RJ-45 (10/100Base-T), Wi-Fi 802.11b/g	
Protocol	IPv4, HTTP, SSL, TCP/IP, UDP, ICMP, IGMP, RTSP, RTP, SMTP, NTP, DHCP, DNS, PPPOE, DDNS, FTP, IP Filter,			
ONVIF	ONVIF Ver. 2.0			
Max. User Access	10 users			
Smart Phone	iPhone, iPad, Android, Windows Phone			
Auxiliary Interface				

DH-IPC-A7-I/A7W-I

Memory Slot	SD, Max 32GB
PIR Sensor Range	Up to 5meters
Alarm	External wireless alarm box
General	
Power Supply	DC5V
Power Consumption	<4W
Working Environment	-10°C~+50°C, 10%~90%
Dimensions (W×D×H)	102mm×106mm×138mm
Weight	0.34Kg

Dimensions (mm)



<http://www.asi.ind.in>

Dahua Technology Co., Ltd.

1187 BinAn Road, Binjiang District, Hangzhou, China

Tel: +86-571-87688883

Fax: +86-571-87688815

Email: overseas@dahuatech.com

www.dahuatech.com

*Design and specifications are subject to change without notice.

© 2012 Dahua Technology Co., Ltd.