

DH-CA-FW480E

700TVL Waterproof IR Camera



Features

- > 1/3" SONY EXview HAD CCD II & Effio-E DSP
- > High resolution of 700TVL(Color)
- > DWDR, Day/Night, 2DNR, AWB, AGC,BLC, MD, Privacy Masking, Picture Adjustment
- > 4~9mm varifocal motorized lens (8~20mm optional)
- > IR LEDs length 50m(100m optional), Smart IR
- > OSD, IP66, DC12V

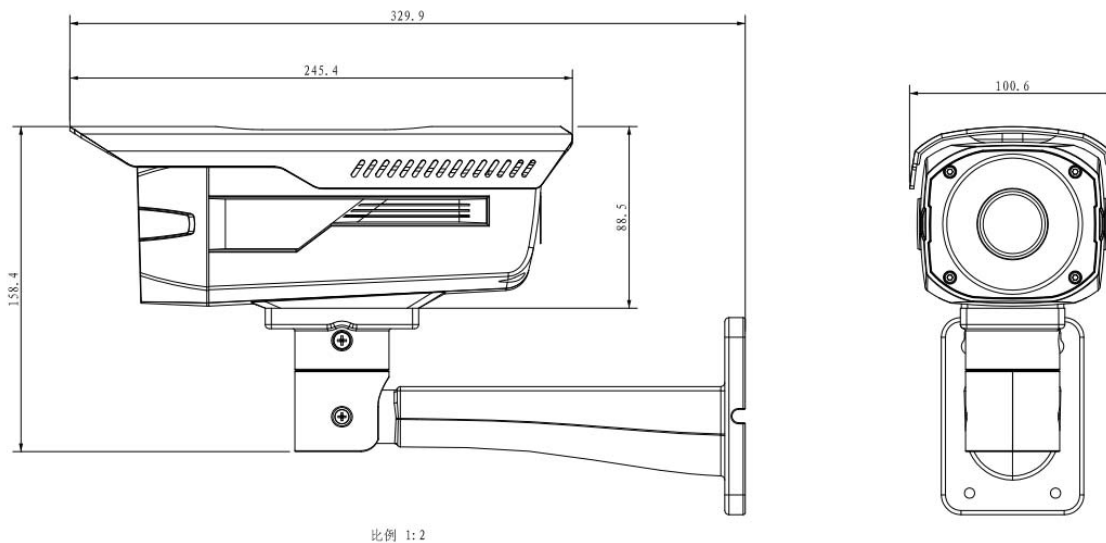
DH-CA-FW480E

Technical Specifications

Model	DH-CA-FW480EP	DH-CA-FW480EN
Camera		
Image Sensor	1/3" EXview HAD CCD II	
Effective Pixels	976(H) x 582(V), 570K pixels	976(H) x 494(V), 480K pixels
Horizontal Resolution	Color: 700TVL	
Electronic Shutter	1/50s~1/100,000s	1/60s~1/100,000s
Synchronization	Internal	
Min. Illumination	0.02Lux@F1.2(0Lux IR LED on)	
S/N Ratio	>60dB	
Video Output	1Vp-p Composite Output (75Ω/BNC)	
Camera Features		
Max. IR LEDs Length	50m(100m optional), Smart IR	
OSD	English, Chinese, French, German, Russian, Spanish, Portuguese, Japanese	
Backlight Compensation	BLC / HLC / DWDR	
White Balance	Auto Trace WB1 / Auto Trace WB2 / Manual / Auto	
Gain Control	Auto / Manual	
Noise Reduction	2D	
Privacy Masking	Up to 4 areas	
Picture Adjustment	Mirror / Brightness / Contrast / Sharpness / Hue / Gain	
Lens		
Focal Length	4~9mm motorized lens (8~20mm optional)	
Focus Control	Auto	
Mount Type	Φ14	
Auxiliary Interface		
RS485	1 port	
General		
Power Supply	DC12V±10%	
Power Consumption	Max 8W	
Working Environment	-30°C~+60°C / 20%~80%RH	
Ingress Protection	IP66	
Dimensions(W×D×H)	98.4mm × 245.5mm × 100.6mm	
Weight	1100g	
Others	Default: bracket included	

DH-CA-FW480E

Dimensions (mm)



<http://www.asi.ind.in>

Dahua Technology Co., Ltd.

1187 BinAn Road, Binjiang District, Hangzhou, China

Tel: +86-571-87688883

Fax: +86-571-87688815

Email: overseas@dahuatech.com

www.dahuatech.com

*Design and specifications are subject to change without notice.

© 2012 Dahua Technology Co., Ltd.