

DH-CA-DW450E

520TVL IR Mini Dome Camera



Features

- > 1/3" SONY Super HAD CCD II
- > Resolution of 520TVL(Color)
- > Day/Night, 2DNR,, AWB, AGC,BLC, MD, Privacy Masking, Picture Adjustment
- > 6mm fixed lens (3.6mm, optional)
- > Max. IR LEDs length 20m
- > OSD, IP66, DC12V

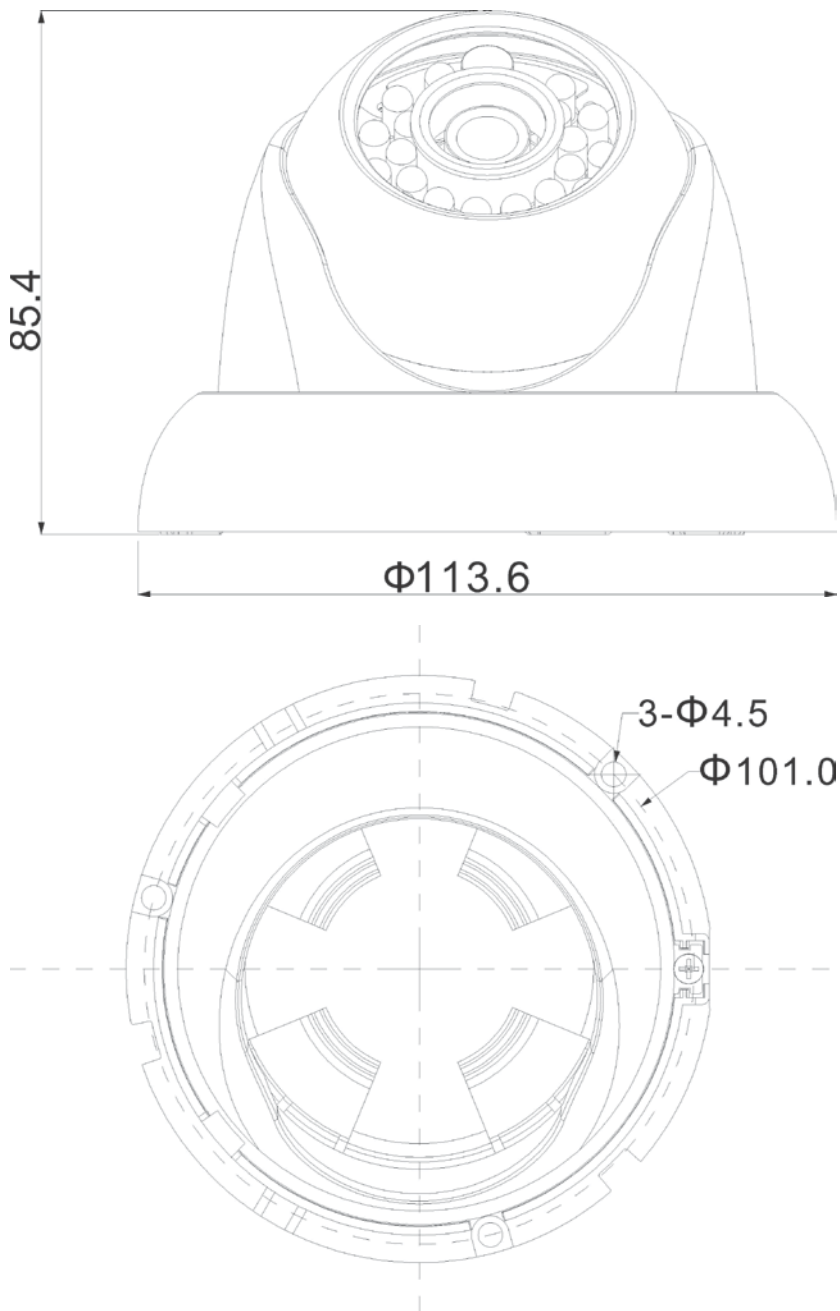
DH-CA-DW450E

Technical Specifications

Model	DH-CA-DW450EP	DH-CA-DW450EN
Camera		
Image Sensor	1/3" Super HAD CCD II	
Effective Pixels	500(H) × 582(V)	510(H)×492(V)
Horizontal Resolution	Color: 520TVL	
Electronic Shutter	1/50s~1/100,000s	1/60s~1/100,000s
Min. Illumination	0.1Lux@F1.2(0Lux IR LED on)	
S/N Ratio	> 50dB(AGC Off)	
Video Output	1Vp-p Composite Output (75Ω/BNC)	
Camera Features		
Max. IR LEDs Length	20m	
OSD	English, Chinese	
Day/Night	Auto(Electronic) / Color / B/W	
Backlight Compensation	BLC / HLC	
White Balance	Auto	
Gain Control	Auto	
Noise Reduction	2D	
White Point Removal	Support	
Lens		
Focal Length	6mm fixed lens (3.6mm optional)	
Mount Type	M12	
General		
Power Supply	DC12V±10%	
Power Consumption	Max 2.5W	
Working Environment	-10°C~+60°C / 20%~80%RH	
Ingress Protection	IP66	
Dimensions	Φ113.6mm × 85.4mm	
Weight	300g	

DH-CA-DW450E

Dimensions (mm)



<http://www.asi.ind.in>

Dahua Technology Co., Ltd.

1187 BinAn Road, Binjiang District, Hangzhou, China

Tel: +86-571-87688883

Fax: +86-571-87688815

Email: overseas@dahuatech.com

www.dahuatech.com

*Design and specifications are subject to change without notice.

© 2012 Dahua Technology Co., Ltd.