

# D81

## 1MP Outdoor Dome with D/N, IR, Vari-focal lens



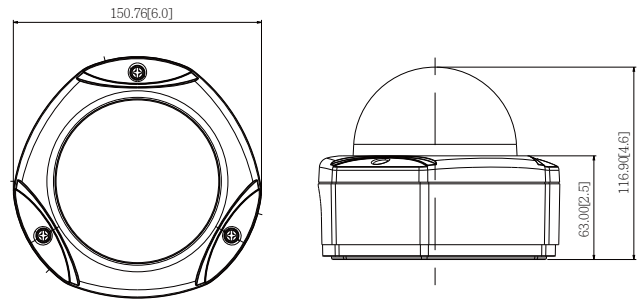
- Progressive Scan CMOS
- Day and night function with mechanical IR cut filter
- Minimum illumination 0 lux with IR LED on
- Built-in f2.8~12mm / F1.4 Megapixel vari-focal lens
- 30 fps at 1280 x 720 resolution
- Selectable H.264 HP, MJPEG compressions with dual streaming
- Video motion detection
- Vandal proof IK10 rated and weatherproof IP66 rated casing
- Powered by PoE Class 2

### PHOTO INDICATION



- 1 Reset Button
- 2 MicroSDHC Card Slot
- 3 Ethernet Port

### DIMENSION DIAGRAM



Unit: mm [inch]

### ACCESSORY OPTIONS

| Dome Cover |   |                             |
|------------|---|-----------------------------|
| PDCX-1101  |  | 4-inch, smoke, vandal proof |

| Popular Mounting Solutions |                                     |   |
|----------------------------|-------------------------------------|---|
| Surface                    | Accessories not required            |   |
| Wall                       | PMAX-0308                           |  |
| Pendant                    | PMAX-0101<br>PMAX-0103              |  |
| Corner                     | PMAX-0101<br>PMAX-0303<br>PMAX-0402 |  |
| Pole                       | PMAX-0101<br>PMAX-0303<br>PMAX-0503 |  |
| Flush                      | PMAX-1003                           |  |

## PRODUCT SPECIFICATION

### D81

#### • Device

|                          |   |
|--------------------------|---|
| Device Type              | Outdoor Dome Camera   |
| Image Sensor             | Progressive Scan CMOS   |
| Day / Night              | Yes   |
| Minimum Illumination     | Color: 0.1 lux at F1.4 (30 IRE, 2400°K); B/W: 0 lux (IR LED on) |
| Color to B/W switch      | ISP based switch, configurable                                  |
| Mechanical IR Cut Filter | Yes   |
| IR Sensitivity Range     | 700~1100nm  |
| IR LED                   | IR LED x 15 (850nm)   |
| IR Working Distance      | 15 m (0 lux, 30 IRE, Max exposure gain)                         |
| Electronic Shutter       | 1/5 ~ 1/2,000 sec (manual mode); 1/5 ~ 1/10,000 sec (auto mode) |

#### • Lens

|                          |   |
|--------------------------|---|
| Focal Length / Aperture  | Vari-focal, f2.8 - 12 mm / F1.4                     |
| Iris                     | Fixed iris  |
| Focus                    | Manual focus  |
| Mount Type               | Board Mount   |
| Horizontal Viewing Angle | 59.8° - 24.7°                                       |
| Viewing Angle Adjustment | Pan: 0° - 360°; Tilt: 25° - 155°; Rotate: 0° - 360° |

#### • Video

|                                   |  |
|-----------------------------------|--|
| Compression                       | H.264 HP, MJPEG  |
| Maximum Frame Rate vs. Resolution | 30 fps at 1280 x 720; 30 fps at 640 x 480  |
| Multi-Streaming                   | Simultaneous dual streams based on two configurations  |
| Bit Rate                          | 28 Kbps - 6 Mbps (per stream)  |
| Bit Rate Mode                     | Constant, Variable   |
| Image Enhancement                 | White balance: automatic, hold, and manual; Brightness; Contrast; Sharpness(auto); Auto gain control; Digital noise reduction; Flickerless |
| Privacy Mask                      | 4 configurable regions   |
| Text Overlay                      | User defined text on video   |
| Image Orientation                 | Image flip and mirror  |

#### • Network

|                    |   |
|--------------------|---|
| Protocol & Service | TCP, UDP, HTTP, HTTPS, DHCP, PPPoE, RTP, RTSP, IPv6, DNS, DDNS, NTP, ICMP, ARP, IGMP, SMTP, FTP, UPnP, SNMP, Bonjour        |
| Ethernet Port      | 1, Ethernet (10/100 Base-T), RJ-45 connector  |
| Security           | IP address filtering; HTTPS encryption; Password protected user levels; Anonymous login; IEEE 802.1X network access control |

#### • Alarm

|                |   |
|----------------|---|
| Alarm Trigger  | Video motion detection (3 regions)  |
| Alarm Response | Notify control center; Change camera settings; Command other devices; E-mail notification with snapshots; Upload video, snapshot to FTP |

#### • Interface

|               |  |
|---------------|--|
| Local Storage | MicroSDHC memory card slot (card not included) |
|---------------|--|

#### • General

|                            |   |
|----------------------------|---|
| Power Source / Consumption | PoE Class 2 (IEEE802.3af) / 4.22 W (IR on)                                  |
| Weight                     | 1015 g (2.24 lb)  |
| Dimensions (Ø x H)         | 150.76 mm x 116.9 mm (6" x 4.6")  |
| Environmental Casing       | Weatherproof (IP66 rated); Transparent vandal proof dome cover (IK10 rated) |
| Mount Type                 | Surface, Pendant, Wall, Corner, Pole, Flush                                 |
| Operating Temperature      | -20°C ~ 50°C (-4°F ~ 122°F)   |
| Operating Humidity         | 10% ~ 85% RH  |
| Approvals                  | CE (EN 55022 Class B, EN 55024), FCC (Part15 Subpart B Class B), IK10, IP66 |

#### • Integration

|                         |  |
|-------------------------|--|
| Unified Solution        | Fully compatible with ACTi software  |
| ISV Integration         | Software Development Kit (SDK) available; ONVIF compliant  |
| Firmware Access Browser | Microsoft Internet Explorer 8.0 or newer (full functionality); Other browsers with VLC installed (partial functionality) |