

D11

1MP Cube with Fixed lens



* The bracket is included.

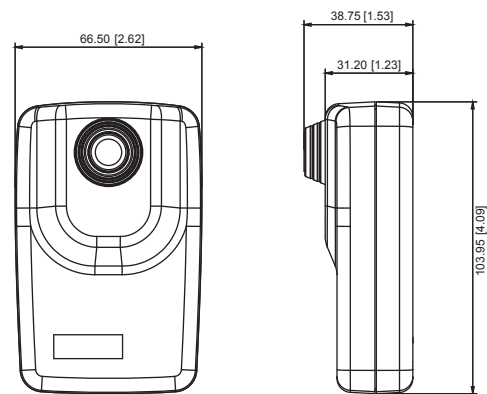
- Progressive Scan CMOS
- Minimum illumination 0.1 lux at F2.0
- Built-in f3.6mm / F2.0 Megapixel fixed lens
- 30 fps at 1280 x 720 resolution
- Selectable H.264 HP, MJPEG compressions with dual streaming
- Video motion detection
- Powered by PoE Class 1

PHOTO INDICATION



- ① Reset Button
- ② Ethernet Port

DIMENSION DIAGRAM



Unit: mm [inch]

PRODUCT SPECIFICATION

D11

• Device

| | |
|--------------------------|---|
| Device Type | Cube Camera |
| Image Sensor | Progressive Scan CMOS |
| Day / Night | No |
| Minimum Illumination | Color: 0.1 lux at F2.0 (30 IRE, 2400 °K) |
| Mechanical IR Cut Filter | No |
| IR Sensitivity Range | No |
| Electronic Shutter | 1/5 ~ 1/2,000 sec (manual mode); 1/5 ~ 1/10,000 sec (auto mode) |

• Lens

| | |
|--------------------------|-----------------------------|
| Focal Length / Aperture | Fixed focal, f3.6 mm / F2.0 |
| Iris | Fixed iris |
| Focus | Fixed focus |
| Mount Type | Board mount |
| Horizontal Viewing Angle | 61° |

• Video

| | |
|-----------------------------------|--|
| Compression | H.264 HP, MJPEG |
| Maximum Frame Rate vs. Resolution | 30 fps at 1280 x 720 (HD 720p); 30 fps at 640 x 480 (VGA) |
| Multi-Streaming | Simultaneous dual streams based on two configurations |
| Bit Rate | 28 Kbps - 6 Mbps (per stream) |
| Bit Rate Mode | Constant, Variable |
| Image Enhancement | White balance: automatic, hold, and manual; Brightness; Contrast; Sharpness(auto); Auto gain control; Digital noise reduction; Flickerless |
| Privacy Mask | 4 configurable regions |
| Text Overlay | User defined text on video |
| Image Orientation | Image flip and mirror |

• Network

| | |
|--------------------|--|
| Protocol & Service | TCP, UDP, HTTP, HTTPS, DHCP, PPPoE, RTP, RTSP, IPv6, DNS, DDNS, NTP, ICMP, ARP, IGMP, SMTP, FTP, UPnP, SNMP, Bonjour |
| Ethernet Port | 1, Ethernet (10/100 Base-T), RJ-45 connector |
| Security | IP address filtering; HTTPS encryption; Password protected user levels; IEEE 802.1X network access control |

• Alarm

| | |
|----------------|--|
| Alarm Trigger | Video motion detection (3 regions) |
| Alarm Response | Notify control center; Change camera settings; Command other devices; E-mail notification with snapshots; Upload video, snapshot to FTP server |

• General

| | |
|----------------------------|---|
| Power Source / Consumption | PoE Class 1 (IEEE802.3af) / 2.95 W |
| Weight | 140 g (0.31 lb) |
| Dimensions (W x H x D) | 66.50 mm x 103.95mm x 38.75mm (2.62" x 4.09" x 1.53") |
| Bundled Accessories | Bracket |
| Mount Type | Wall, Ceiling |
| Operating Temperature | -10 °C ~ 45 °C (14 °F ~ 113 °F) |
| Operating Humidity | 10% ~ 85% RH |
| Approvals | CE (EN 55022 Class B, EN 55024), FCC (Part15 Subpart B Class B) |

• Integration

| | |
|-------------------------|--|
| Unified Solution | Fully compatible with ACTi software |
| ISV Integration | Software Development Kit (SDK) available; ONVIF compliant |
| Firmware Access Browser | Microsoft Internet Explorer 8.0 or newer (full functionality); Other browsers with VLC installed (partial functionality) |